

120-270kg

BZFPC SERIES PNEUMATIC/PUNCTURE-PROOF

Housing made of fabricated zinc-plated steel with double ball race in swivelhead.
Available with top plate fixing.



WHEEL CODE		PR	MR	PP	PU					
Wheel diam or (mm)	Swivel fixed	Tread width (mm)	Overall height (mm)	Plate type	Swivel radius (mm)	Bearing type	Pneumatic tyre on plastic centre	Pneumatic tyre on steel centre	Puncture-proof tyre on plastic centre	Puncture-proof tyre on steel centre
260	S	85 diamond	318	A	171	Needle roller	BZFPC260PRB 120kg	BZFPC260MRB 200kg	-	-
	F						-	BZFPCF260MRB 200kg	-	-
260	S	85 diamond	318	A	171	Needle roller	-	BZFPC260MRB6 270kg	-	-
	F						-	BZFPCF260MRB6 270kg	-	-
260	S	85 ribbed	318	A	171	Needle roller	-	-	BZFPC260PPUB 120kg	BZFPC260MPUB 120kg
	F						-	-	BZFPCF260PPUB 120kg	BZFPCF260MPUB 120kg

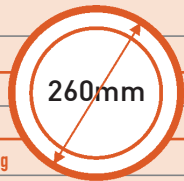
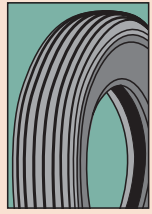
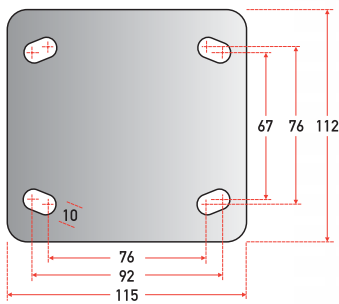
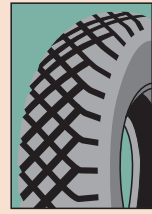


PLATE TYPE & DIMENSIONS (mm)

Type A




Ribbed pattern



Diamond pattern

WHEEL BEARING KEY

 Needle roller

AVAILABLE WHEEL TYPES (for full wheel specifications refer to pages indicated)



p104

p105

p106

p107

