



BZMM SERIES

Zinc-plated, pressed steel housing with double ball race in swivelhead.

Available with top plate or single bolthole fixing.

WHEEL CODE		NY	PS	GR	BS	RN	PN					
Wheel diam or (mm)	Swivel fixed	Tread width (mm)	Overall height (mm)	Plate type	Swivel radius (mm)	Bearing type	White nylon	Black rubber on black polypropylene	Grey rubber on black polypropylene	Black rubber on steel disc centre	Blue rubber on black nylon	Brown polyurethane on white nylon
80	S	25 NY=30 RN=35 PN=30	105	A	78 108*		BZMM80NY 90kg	BZMM80PS 50kg	BZMM80GR 50kg	-	BZMM80RN 90kg	BZMM80PN 90kg
								BZMM80NYB 90kg	BZMM80PSB 50kg	BZMM80GRB 50kg	BZMM80BSB 50kg	-
80	F	25 NY=30 RN=35 PN=30	105	A	-		BZMMF80NY 90kg	BZMMF80PS 50kg	BZMMF80GR 50kg	-	BZMMF80RN 90kg	BZMMF80PN 90kg
								BZMMF80NYB 90kg	BZMMF80PSB 50kg	BZMMF80GRB 50kg	BZMMF80BSB 50kg	-
100	S	30 RN=32	128	A	88 128*		BZMM100NY 125kg	BZMM100PS 70kg	BZMM100GR 70kg	-	BZMM100RN 125kg	BZMM100PN 125kg
								BZMM100NYB 125kg	BZMM100PSB 70kg	BZMM100GRB 70kg	BZMM100BSB 70kg	BZMM100RNB 125kg
100	F	30 RN=32	128	A	-		BZMMF100NY 125kg	BZMMF100PS 70kg	BZMMF100GR 70kg	-	BZMMF100RN 125kg	BZMMF100PN 125kg
								BZMMF100NYB 125kg	BZMMF100PSB 70kg	BZMMF100GRB 70kg	BZMMF100BSB 70kg	BZMMF100RNB 125kg
125	S	37.5 NY=35 RN=35 PN=35	155	A	107 135*		BZMM125NY 160kg	BZMM125PS 90kg	BZMM125GR 90kg	-	BZMM125RN 160kg	BZMM125PN 160kg
								BZMM125NYB 160kg	BZMM125PSB 90kg	BZMM125GRB 90kg	BZMM125BSB 90kg	BZMM125RNB 160kg
125	F	37.5 NY=35 RN=35 PN=35	155	A	-		BZMMF125NY 160kg	BZMMF125PS 90kg	BZMMF125GR 90kg	-	BZMMF125RN 160kg	BZMMF125PN 160kg
								BZMMF125NYB 160kg	BZMMF125PSB 90kg	BZMMF125GRB 90kg	BZMMF125BSB 90kg	BZMMF125RNB 160kg
150	S	40 RN=50	190	B	135 169*		BZMM150NY 350kg	-	-	-	BZMM150RN 300kg	-
								BZMM150NYB 350kg	-	-	-	BZMM150RNB 300kg
150	F	40 RN=50	190	B	-		BZMMF150NY 350kg	-	-	-	BZMMF150RN 300kg	-
								BZMMF150NYB 350kg	-	-	-	BZMMF150RNB 300kg
160	S	45 RN=50	195	B	140 174*		BZMM160NY 350kg	BZMM160PS 140kg	BZMM160GR 140kg	-	BZMM160RN 300kg	-
								BZMM160NYB 350kg	BZMM160PSB 140kg	BZMM160GRB 140kg	BZMM160BSB 140kg	BZMM160RNB 300kg
160	F	45 RN=50	195	B	-		BZMMF160NY 350kg	BZMMF160PS 140kg	BZMMF160GR 140kg	-	BZMMF160RN 300kg	-
								BZMMF160NYB 350kg	BZMMF160PSB 140kg	BZMMF160GRB 140kg	BZMMF160BSB 140kg	BZMMF160RNB 300kg
200	S	50	235	B	167 188*		BZMM200NY 350kg	BZMM200PS 205kg	BZMM200GR 205kg	-	BZMM200RN 350kg	BZMM200PN 350kg
								BZMM200NYB 350kg	BZMM200PSB 205kg	BZMM200GRB 205kg	BZMM200BSB 205kg	BZMM200RNB 350kg
200	F	50	235	B	-		BZMMF200NY 350kg	BZMMF200PS 205kg	BZMMF200GR 205kg	-	BZMMF200RN 350kg	BZMMF200PN 350kg
								BZMMF200NYB 350kg	BZMMF200PSB 205kg	BZMMF200GRB 205kg	BZMMF200BSB 205kg	BZMMF200RNB 350kg

Braked castors (swivel and wheelbrakes)

add to code: **SWB**

Threadguards (available on request)

add to code: **G**

Single bolthole castor (12mm)
(80mm to 125mm diameter only)

add to code: **BH12**

* Swivel radius when brakes are fitted

WHEEL BEARING KEY

- Plain bore
- Needle roller
- Ball journal

AVAILABLE WHEEL TYPES (for full wheel specifications refer to pages indicated)



p79

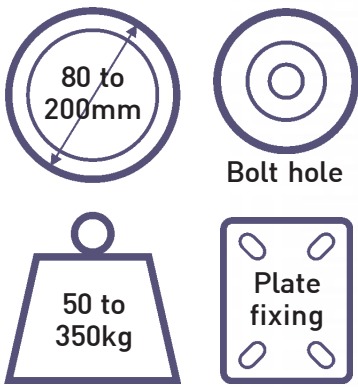
p86

p84

p87

p91

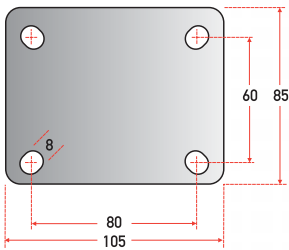
p95



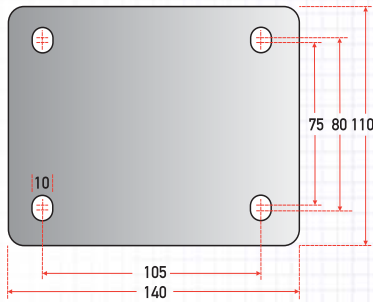
50-350kg

PLATE TYPES AND DIMENSIONS (mm)

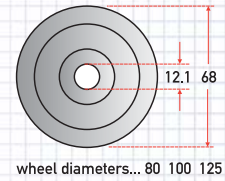
Type A



Type B



Single bolthole
add to code: BH12



wheel diameters... 80 100 125

Alternative fittings

SQUARE EXPANDERS



Tube section	Range for inside diameter of tube (mm)	Plug length (mm)	Plug material	Product code
Square	18.5 to 21.0	70	Nylon	BZEXS185/21
	21.5 to 24.0			BZEXS215/24
	25.0 to 30.0			BZEXS25/30

ROUND EXPANDERS



Tube section	Range for inside diameter of tube (mm)	Plug length (mm)	Plug material	Product code
Round	18.5 to 21.0	70	Nylon	BZEXR185/21
	21.5 to 24.0			BZEXR215/24
	25.0 to 30.0			BZEXR25/30

BZMM SERIES INDUSTRIAL

